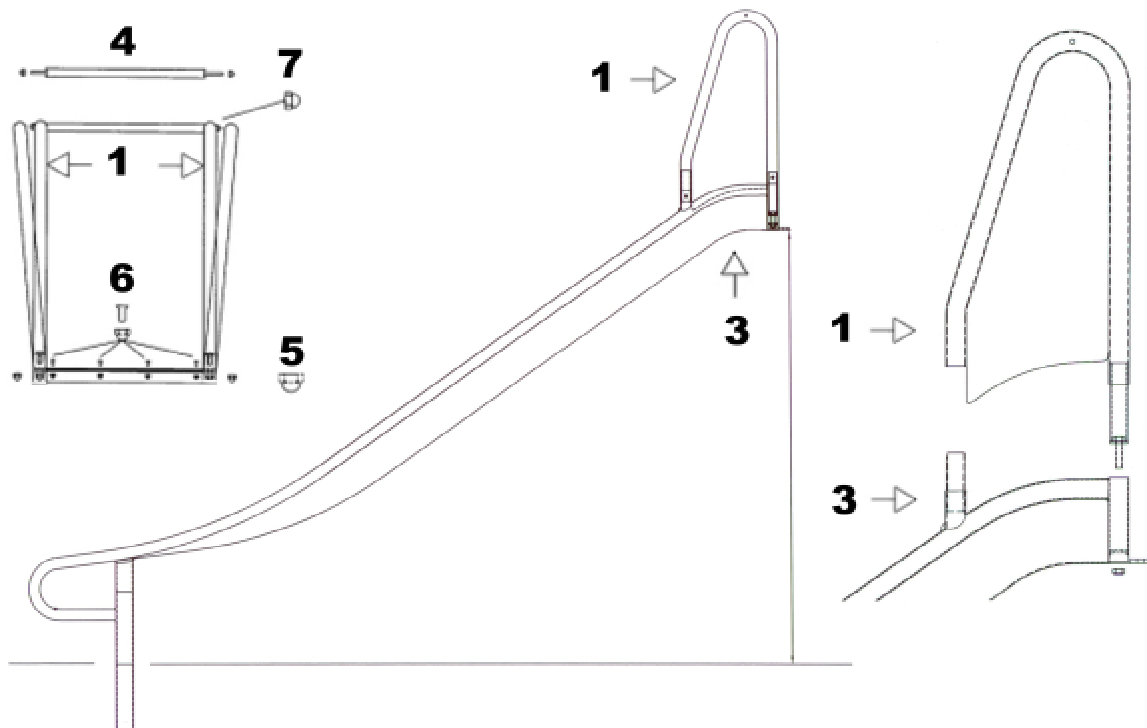


## Assembly instructions - Slide for Tower

Please be advised that the slide that you are about to install/assemble is manufactured with very narrow tolerances. At final production these individual parts are matched together. Therefore you will be assembling metal to metal parts, so during assembly the following tools will be helpful, in order to use the adequate force to push the parts together.

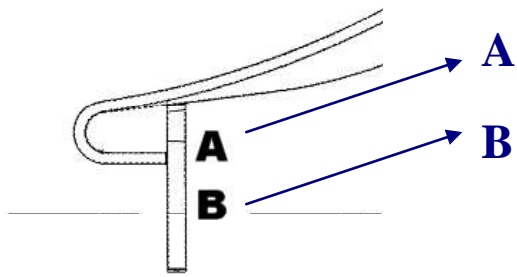


- The wings in the top (1) shall be mounted so that the weldings on each side of the wings will face against each other, and likewise the R&T logo face outwards.
- Gently insert wings (1) to slide (3).
- Before inserting the wings complete, one must insert the safetybar (4) between the wings.
- The wings can now be pushed completely down – Possibly use a rubber mallet.
- Now fasten the wings (1) to the slide (3) on each side with the M10 Nuts (5).
- Now fasten the nuts (7) to the safety bar.
- Slide is now fully assembled, and is ready to be bolted and screwed onto the floor of the tower. Bolts/screws for fixing to the floor are not included.



Please note slides with a mounting height above 2meter are not allowed to be easy accessible.

After assembly, you can install the slide in the ground. Please insure that the complete installation meets all requirements in EN 1176.



**Ground level marking for height:  
0,8 – 1,25 – 1,75 – 2,25 Meter**

**Ground level marking for height:  
1,0 – 1,5 – 2,0 – 2,5 Meter**