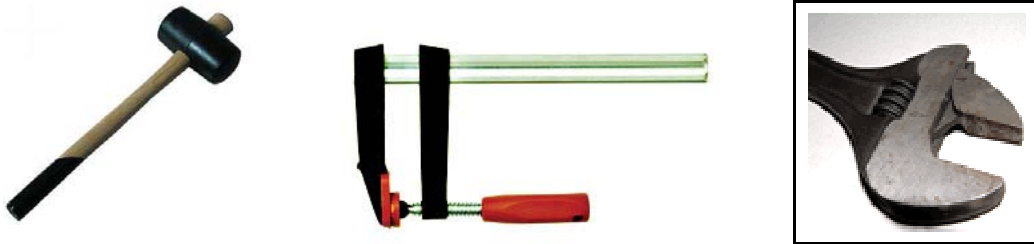
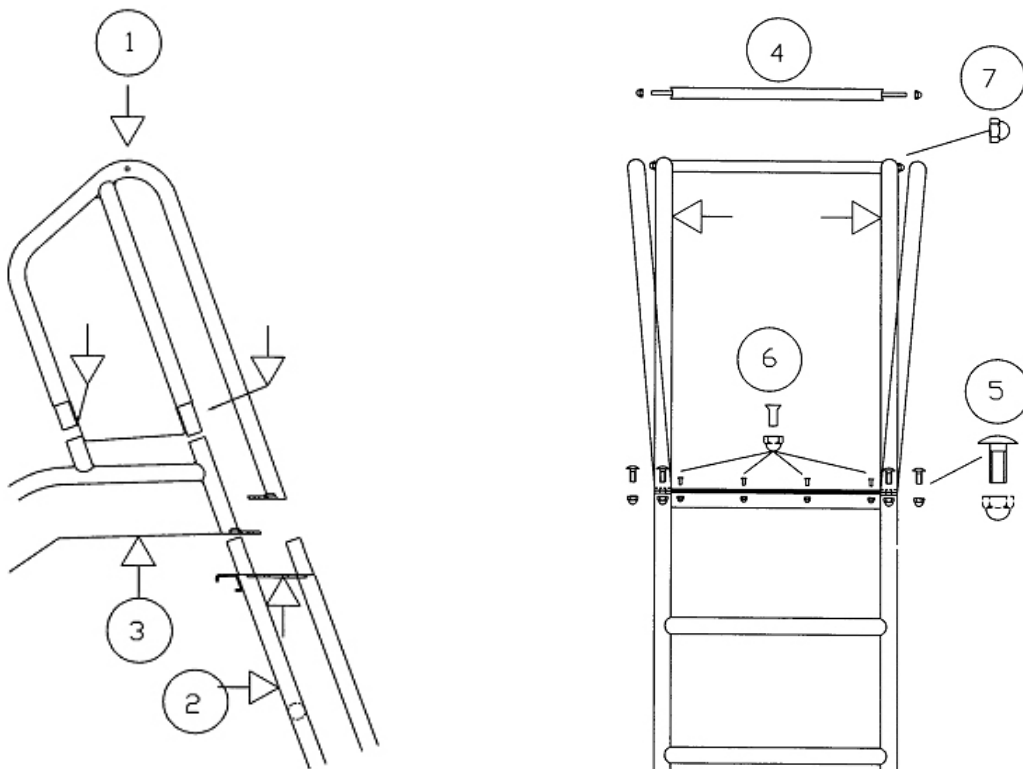


LADDER SLIDES INSTRUCTIONS

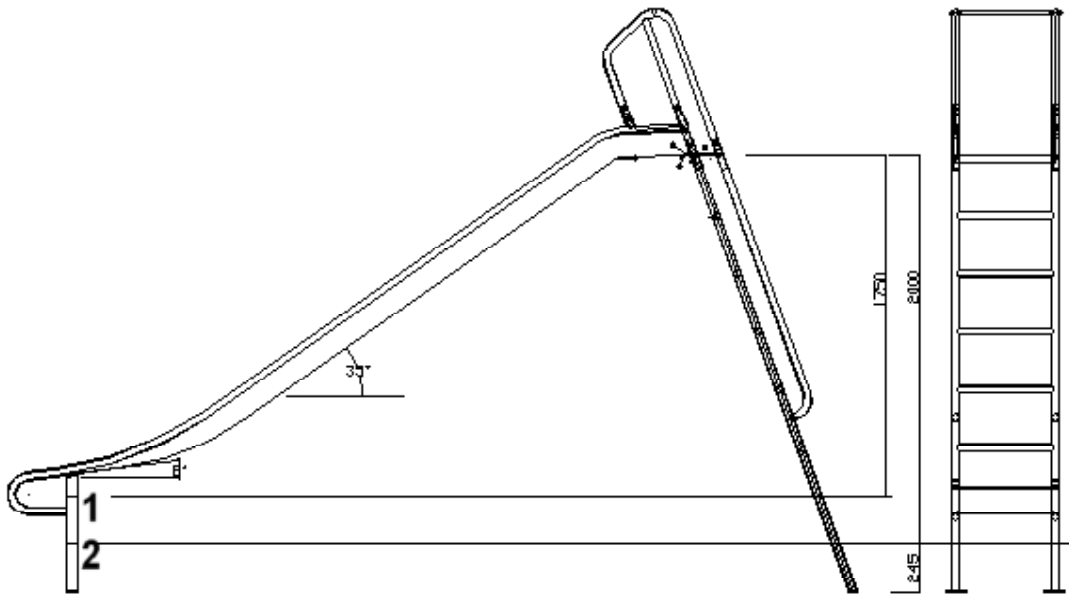
Please be advised that the slide that you are about to install/assemble is manufactured with very narrow tolerances. At final production these individual parts are matched together. Therefore you will be assembling metal to metal parts, so during assembly the following tools will be helpful, in order to use the adequate force to push the parts together.



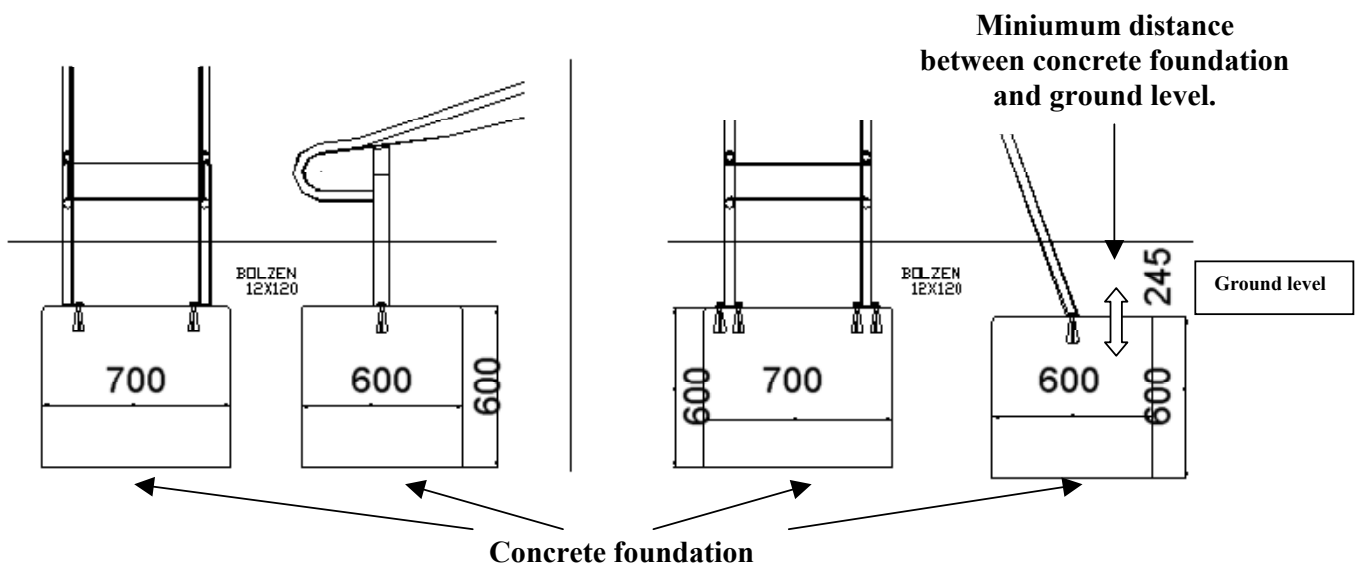
1. Connect the ladder (2) with slide (3). Fasten the above with the M16 bolts & Nuts (5). One each side
2. Fasten the screws & nuts (6) across the slide forcing the start on the slide down.
3. The upper wings (1) must be mounted, so that the R&T mark is on the outside of the wings.
4. Prior to mounting the upper wings (1), one must attach the safety bar (4) between the wings.
5. The upper wings can now be mounted.
6. When the wings are proper forced down, fasten the M16 bolt & Nut (5). Fasten the nuts (7) on the safety bar



After assembly, you can install the slide in the ground. Please insure that the complete installation meets all requirements in EN 1176.



1. Ground level marking for height: 1,25 – 1,75 – Meter
2. Ground level marking for height: 1,50 – 2,00 - Meter



The above measurement of the foundation block is to be used as guidance only. Softer ground may require bigger blocks.

1. Prepare holes in the ground and fill in concrete.
2. Insert foundation bolt in slide legs.
3. Insert slide in the not hardened concrete, making sure that the foundation bolts has sufficient grip in the concrete.
4. Make the necessary angle correction to the slide while concrete is still „soft“
5. During the hardening process of the concrete, it is recommended that the slide is supported.
6. All bolt and nuts must be fastened.

Please note:

When installing a slide please insure that the angle of the run-out section is so, that no rain water settles at the run-out section.

Slides are supplied without any foundation parts, bolt etc.