




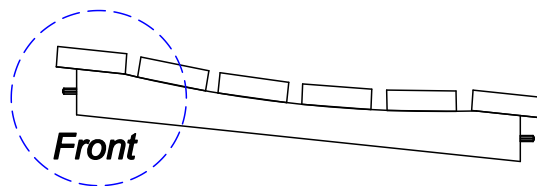


A		1
B		1
C		1
D		1
E		2
1	 M6 x 55	6
2	 M6 x 10 x 20	6
3	 8 x 35 mm	6
4	 10 x 40 mm	10
5		1



NB! Please, assemble seat in correct direction.